



15F2970

# Wide Body Towbar



Building Quality Ground Support Products Since 1961

- Made of high strength steel
- Safety lock system to avoid separation from aircraft
- Quality shear bolts for aircraft protection
- Powder coated and zinc plated
- Pneumatic tires
- Fully hydraulic retractable undercarriage for adjustable height
- Extra set of shear bolts included
- Fits following aircraft:
  - A380-700
  - 800
  - 800F
  - 800R
  - 900



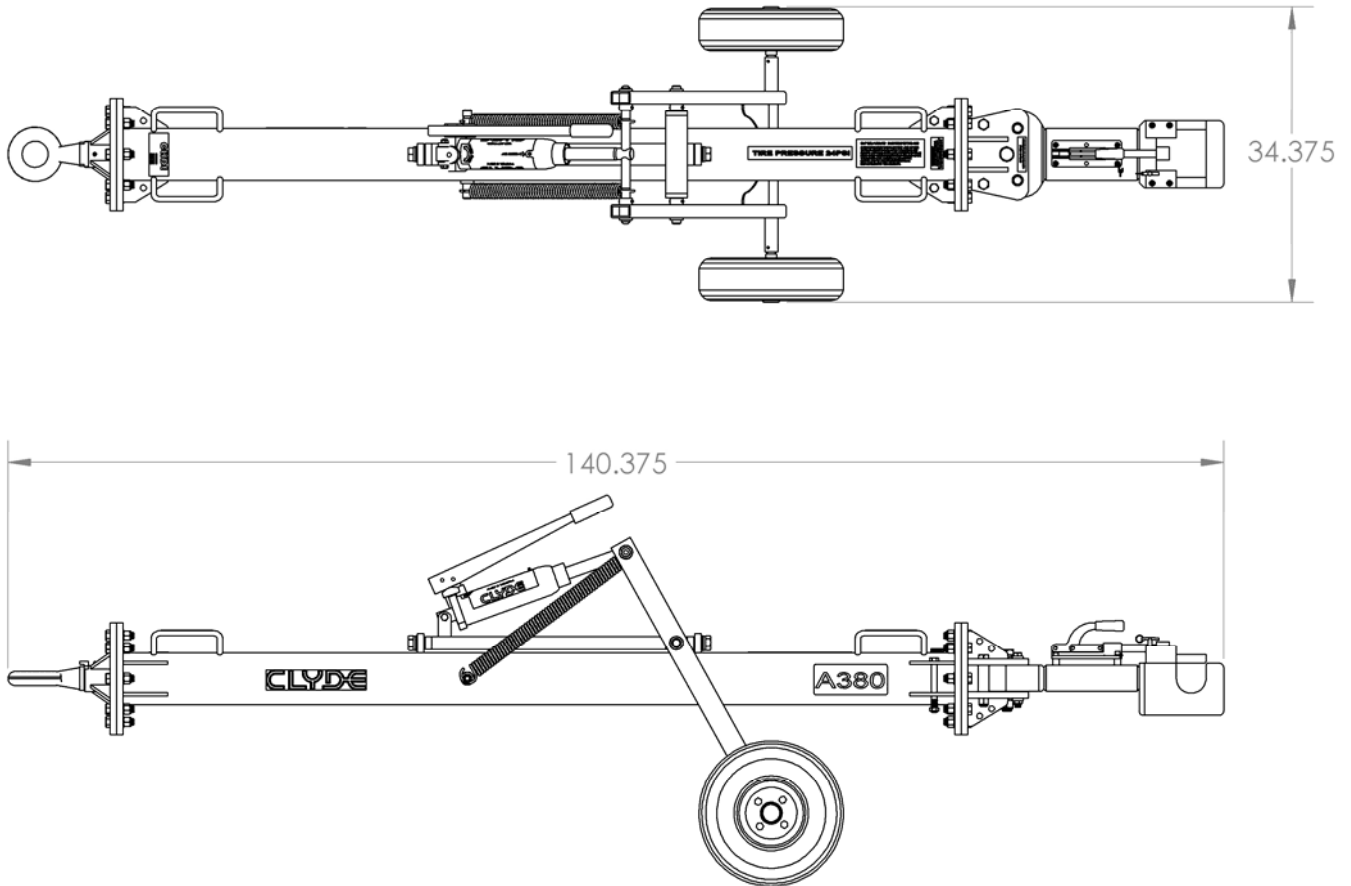
# CLYDE

Clyde Machines  
P.O. Box 194  
1150 Hwy 55 N.  
Glenwood, MN 56334 USA  
(320) 634-4504  
(320) 634-4506 Fax

[www.clydemachines.com](http://www.clydemachines.com)

15F2970

# Wide Body Towbar



## Shipping Information

- Shipping Weight:
  - 600 lbs
- Shipping Dimensions:
  - Length — 144"
  - Width — 34.5"
  - Height — 25"
- Crated Shipping Weight:
  - 900 lbs
- Crated Shipping Dimensions:
  - Length — 152"
  - Width — 22"
  - Height — 30"

# CLYDE

**Clyde Machines**  
P.O. Box 194  
1150 Hwy 55 N.  
Glenwood, MN 56334 USA  
(320) 634-4504  
(320) 634-4506 Fax

[www.clydemachines.com](http://www.clydemachines.com)